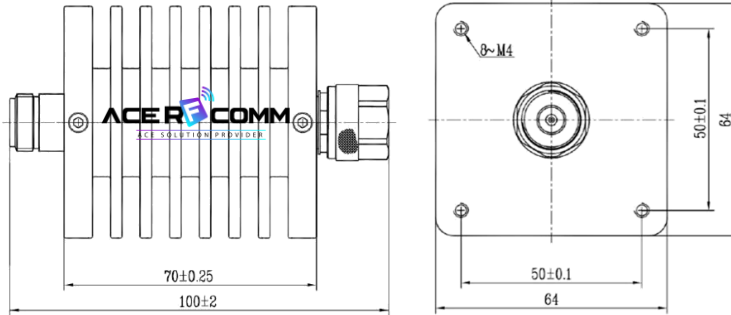


# Attenuator, DC~8GHz, N 50Watt 40dB, Uni-directional

P.N. : A-0840.NN50.S

## Dimension



## Photo



## Electrical & Environmental specification

Frequency Range	DC ~ 8GHz
Impedance	50 Ohm
Input Ave Power	50Watt @ 25°C derated linearly to 0 watts @ 125°C
Peak Power	2.5kW ( 5 μsec pulse width, 1% duty cycle)
Nominal Attenuation	40dB ± 1.0dB
V.S.W.R.	1.30 : 1 Max
Direction	N male input to N female output
Operating Temperature	-55°C ~ 125 °C

## Material specification

Connector Body	Tri-Alloy Plating Brass
Connector Center Contact (Male)	Gold Plating Brass
Connector Center Contact (Female)	Gold Plating BeCu
Connector Mating	500 cycles
Housing	Black Anodizing, Aluminum
Weight	480 gram
Dimension	64 * 64 * 100mm
RoHS	Complaint

# Attenuator, DC~8GHz, N 50Watt 40dB, Uni-directional

P.N. : A-0840.NN50.S

## Test Data

