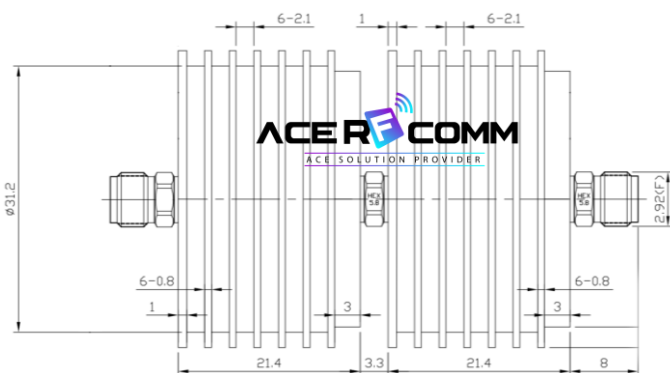


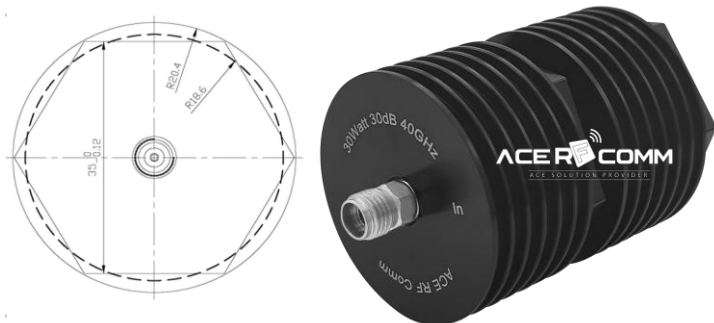
# Attenuator, DC~40GHz, 2.92mm(f,f) 30Watt 30dB, Uni-directional

P.N. : A-4030.2930.2

## Dimension



## Photo/3D Image



## Electrical & Environmental specification

Frequency Range	DC ~ 40GHz
Impedance	50 Ohm
Input Ave Power	30Watt @ 25°C derated linearly to 2 watts @ 100°C
Peak Power	0.2kW ( 5 µsec pulse width, 7% duty cycle)
Nominal Attenuation	30dB, -1.8 ~ +2.1dB
V.S.W.R.	1.35 : 1 Max
Direction	2.92mm Female input / 2.92mm Female output
Operating Temperature	-55°C ~ 100 °C

## Material specification

Connector Body	Passivated Stainless Steel
Connector Center Contact (Male)	Gold Plating Brass
Connector Center Contact (Female)	Gold Plating BeCu
Connector Mating	500 cycles
Weight	100 gram
Dimension	Ø34.8 * 62.1mm
RoHS	Complaint

# Attenuator, DC~40GHz, 2.92mm(f,f) 30Watt 30dB, Uni-directional

P.N. : A-4030.2930.2

## Test Data

