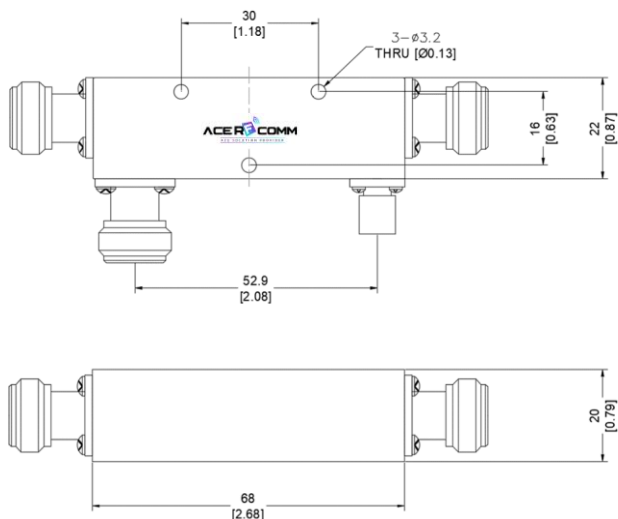


Directional Coupler, N, 50Watt, 30dB, 1GHz~6GHz, Single

P.N. : H-G001.0006.S1

Dimension



Photo



Electrical & Environmental specification

Frequency Range	1GHz ~ 6GHz
Impedance	50 Ohm
Input Ave Power	50Watt @ 25°C
Coupling Value	30dB \pm 1.0
Directivity	15dB
V.S.W.R.	1.25 : 1 Max
Insertion Loss	0.6 dB Max
Operating Temperature	-45°C ~ 85 °C

Material specification

Connector Body	Nickel Plating Brass
Connector Center Contact (Male)	Gold Plating Brass
Connector Center Contact (Female)	Gold Plating BeCu
Connector Mating	500 cycles
Housing	Aluminum
Dimension	68 * 22 * 20 mm (Excluding connector)
RoHS	Complaint

Directional Coupler, N, 50Watt, 30dB, 1GHz~6GHz, Single

P.N. : H-G001.0006.S1

Test Data

