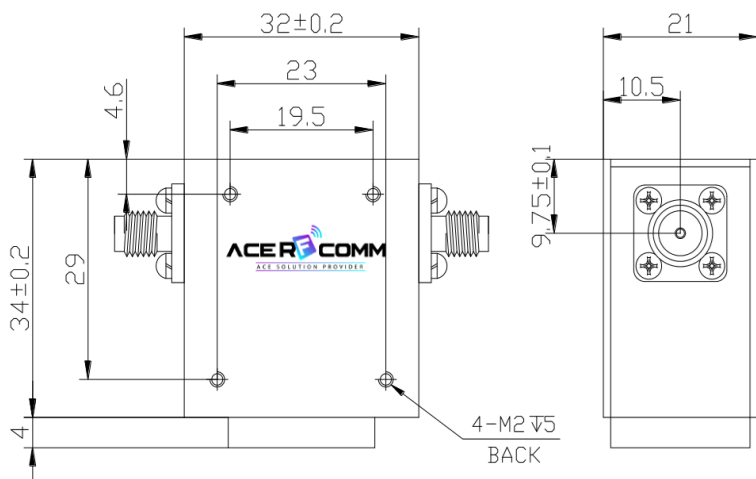


Isolator, SMA 100Watt 2~4GHz

P.N. : I-G002.004S.1

Dimension



Photo/3D Image



Electrical & Environmental specification

Frequency Range	2 ~ 4GHz
Impedance	50 Ohm
Insertion Loss	< 0.7dB
Isolation	> 16dB
Forward Power	100 Watts CW
Reverse Power	20Watts
V.S.W.R.	1.35 : 1 Max
Direction	Clockwise
Working Temperature	0°C ~ +60°C

Material specification

Connector Body	Gold or Tri-alloy plating Brass
Connector Center Contact	Gold Plating BeCu
Connector Mating	500 cycles
Housing	Aluminum
Dimension	32 * 34 * 21 mm
RoHS	Complaint