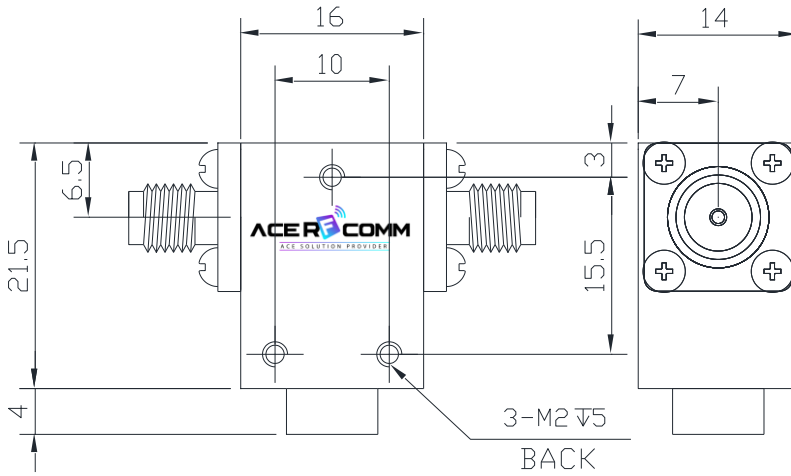


Isolator, SMA 20Watt 8.0 ~ 18.0 GHz

P.N. : I-G008.018S.1

Dimension



Photo



Electrical & Environmental specification

Frequency Range	8.0 ~ 18.0 GHz
Impedance	50 Ohm
Insertion Loss	< 1.3dB
Isolation	> 11dB
Forward Power	20 Watts CW
Reverse Power	10Watts
V.S.W.R.	1.65 : 1 Max
Direction	Clockwise
Working Temperature	-30°C ~ +75°C

Material specification

Connector Body	Gold or Tri-alloy plating Brass
Connector Center Contact	Gold Plating BeCu
Connector Mating	500 cycles
Housing	Aluminum
Dimension	16 * 21.5 * 14 mm
RoHS	Complaint