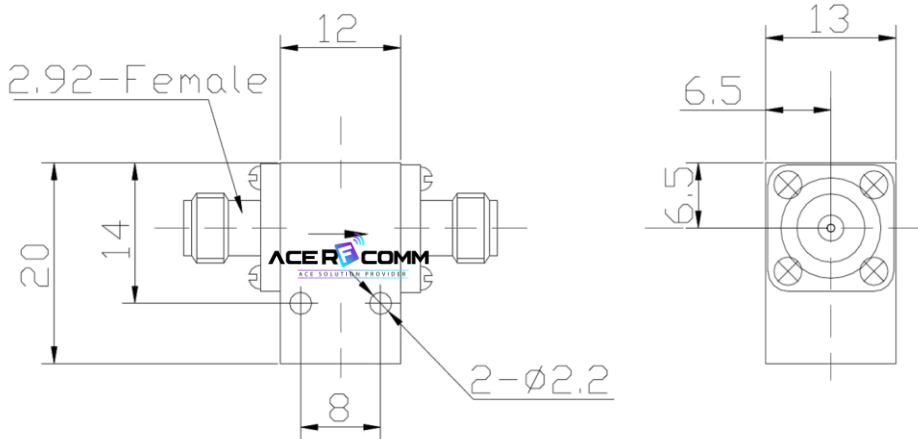


Isolator, 2.92mm 10Watt 18.0 ~26.5 GHz

P.N. : I-G018.026S.1

Dimension



Electrical & Environmental specification

Frequency Range	18.0 ~ 26.5 GHz
Impedance	50 Ohm
Insertion Loss	< 0.75 dB
Isolation	> 15 dB
Forward Power	10 Watts CW
Reverse Power	5 Watts
V.S.W.R.	1.45 : 1 Max
Direction	Clockwise
Working Temperature	-30°C ~ +70°C

Material specification

Connector Body	Passivated Stainless Steel
Connector Center Contact	Gold Plating BeCu
Connector Mating	500 cycles
Housing	Aluminum
Dimension	12 * 20 * 13 mm
RoHS	Complaint