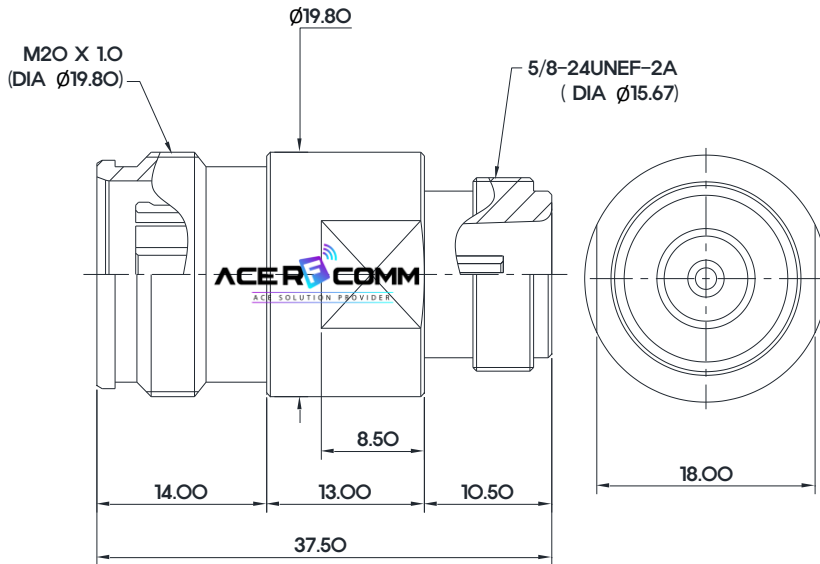


Adaptor, 4.3/10 DIN Female to N Female

P.N. : X-NN43.03FF.1

Dimension



Photo



Electrical specification

Frequency Range	DC ~ 4GHz
Impedance	50 Ohm
V.S.W.R.	1.20 : 1 Max.
Insertion Loss	0.15dB Max

Material specification

Connector Body	Tri-Alloy, Brass
Connector Center Contact	Gold Plating, Brass / Becu
Insulator	Teflon
Connector Mating	500 cycles

Environmental specification

Operating Temperature	-45°C ~ 85 °C
RoHS	Compliant